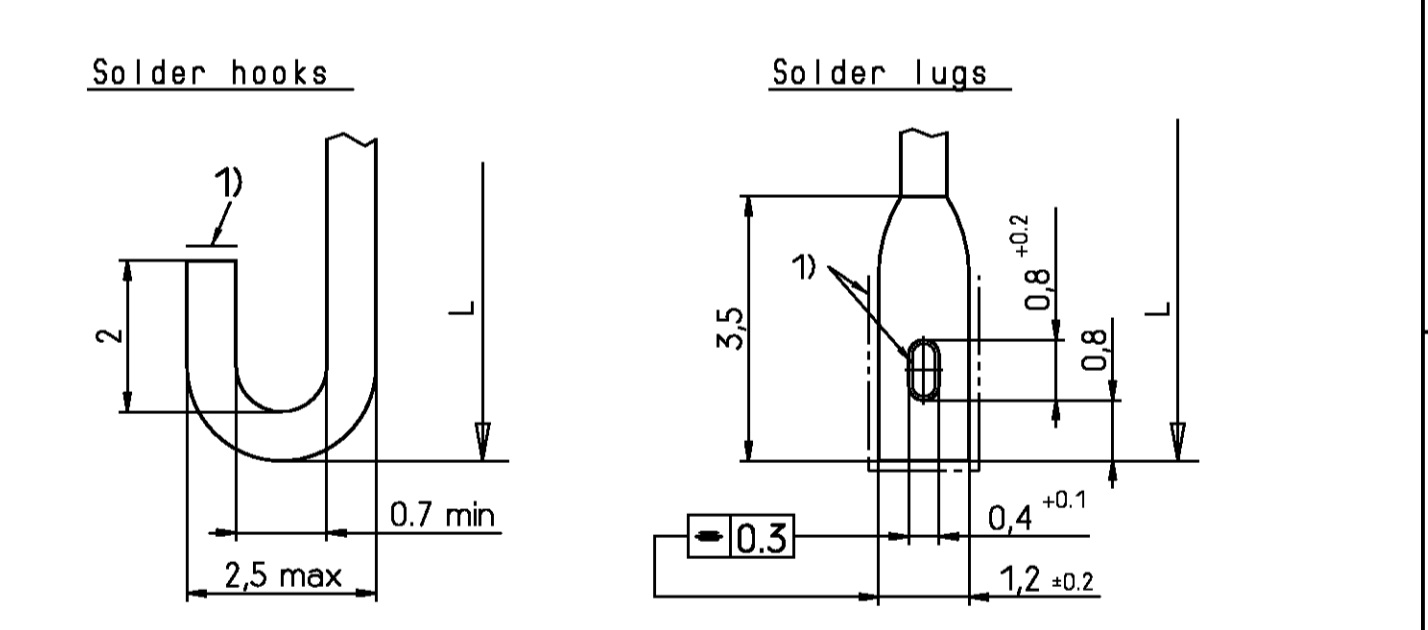
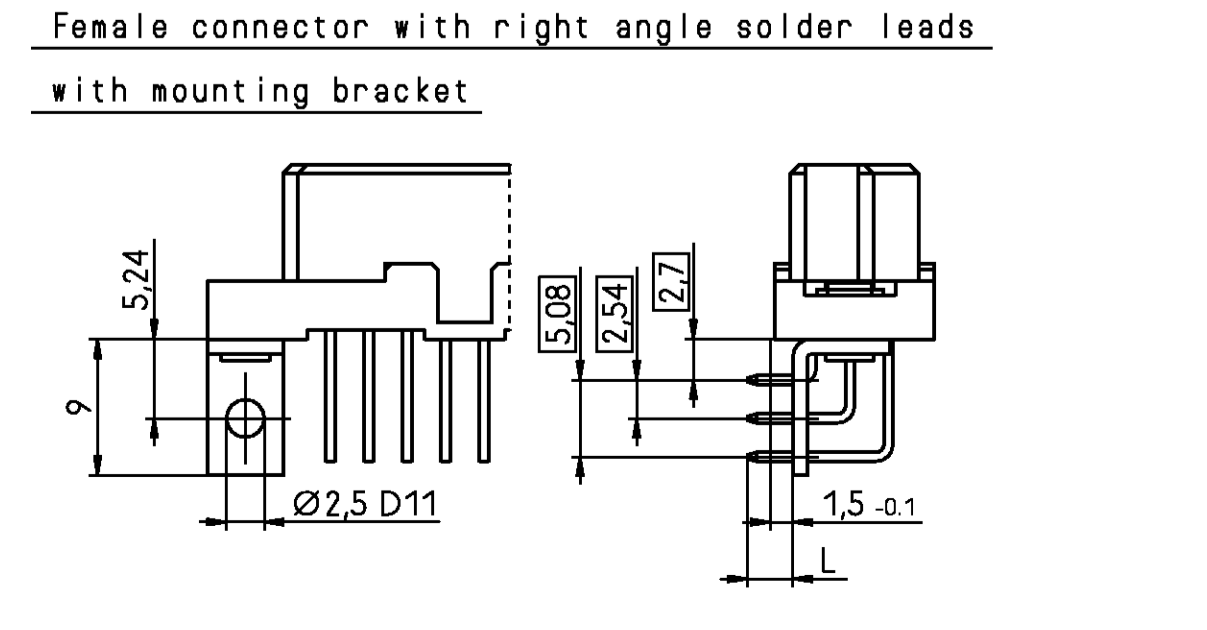
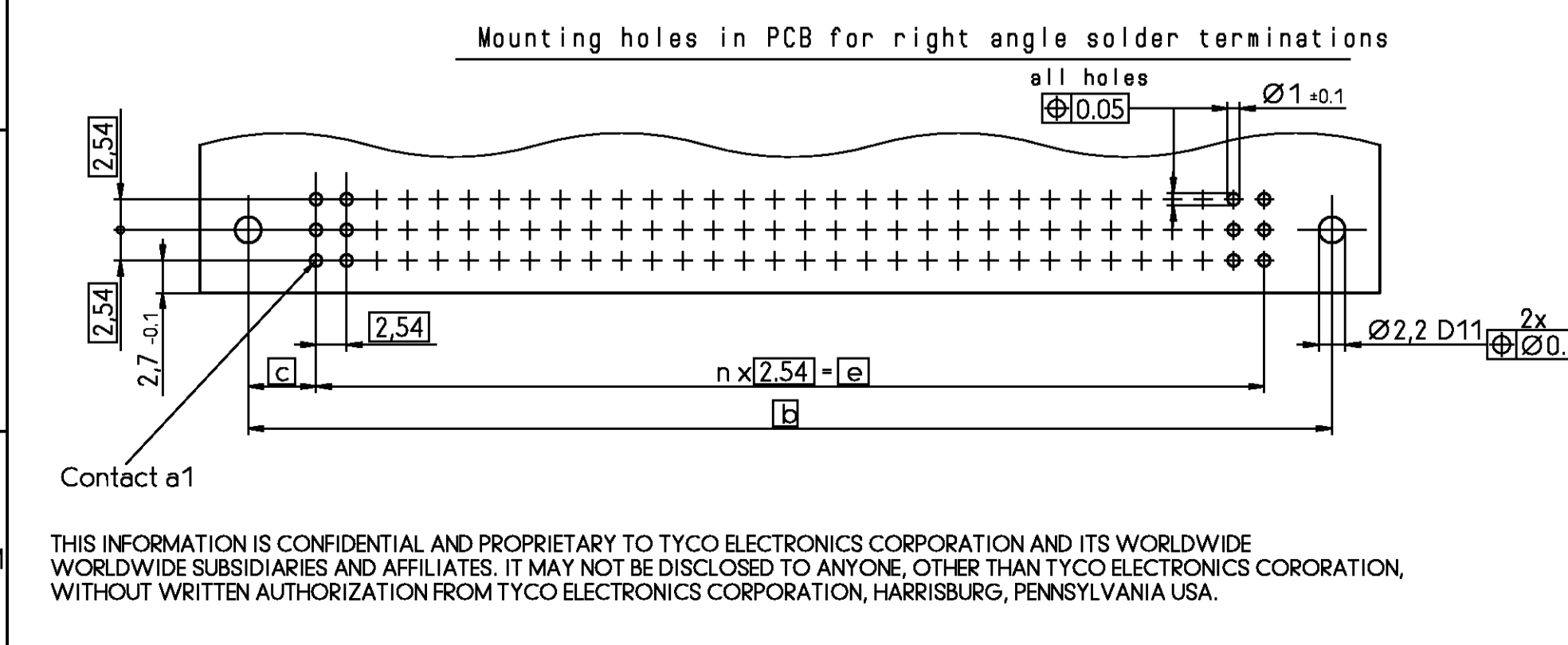
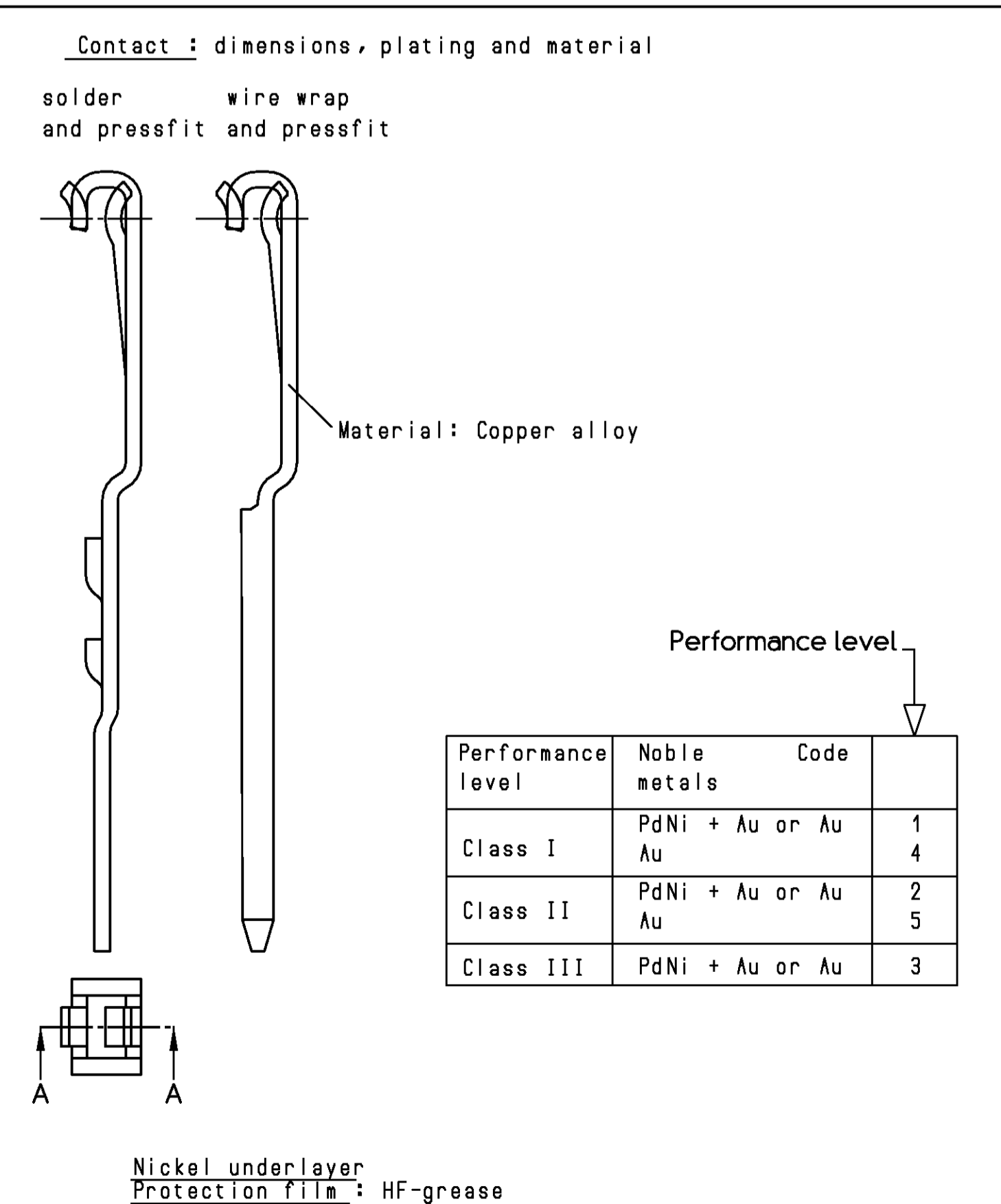
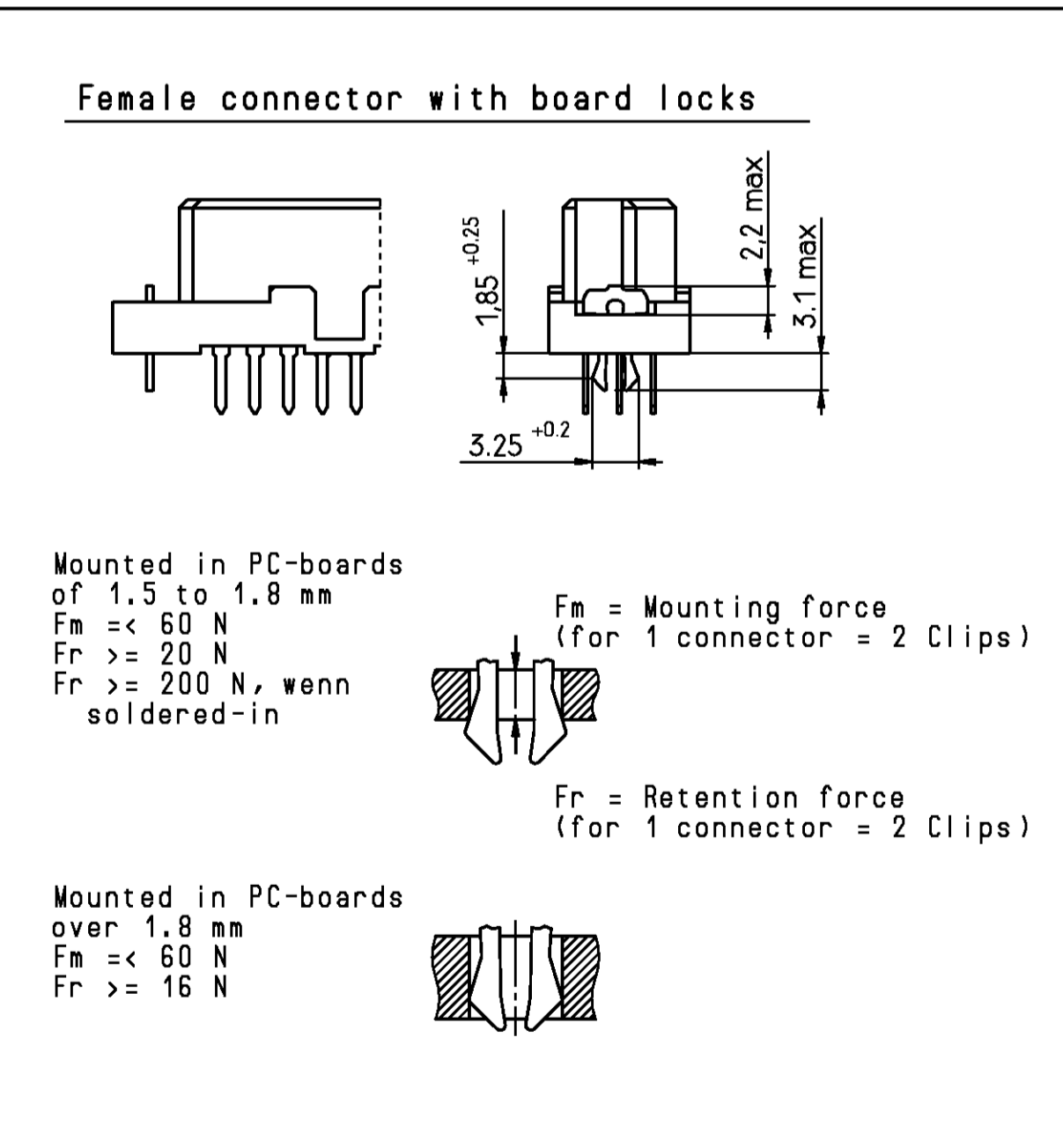
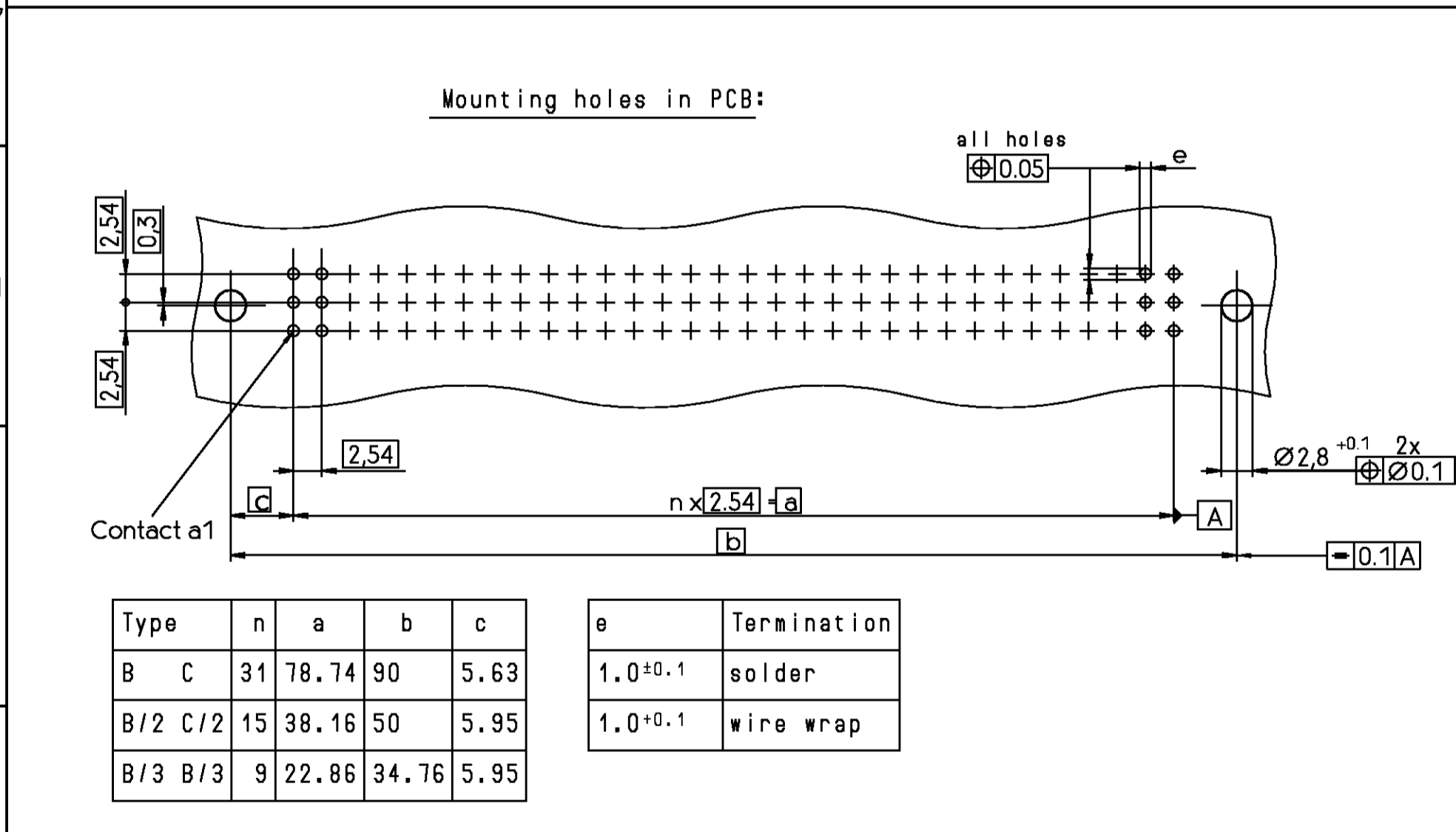


Termination Styles

Termination Style	L	Code
Solder terminations	2.9 ± 0.3	01
	3.7 ± 0.3	05
	4.5 ± 0.3	02
	6 ± 0.3	03
Wire wrap terminations and solder termination	7.3 ± 0.3	04
	13 ± 0.5	40
Solder hooks	5.5 ± 0.3	30
	10 ± 0.5	35
Solder lugs	5.5 ± 0.3	00
	10 ± 0.5	10
Solder right angle	1.55 ± 0.4	60
	3 - 0.4	61
Solder right angle with mounting bracket	13 ± 0.5	63
	17 ± 0.5	66
	4 ± 0.5	67
	13 ± 0.5	69
	17 ± 0.5	67
	6 ± 0.5	70

Termination with Sn



V 4 2 2 5 4 - * 2 * * * - + * * *

B : Standard version
 F : Version with flux-tight coating

Code for performance level
 Code for termination style

Style, no of contacts and contact assignment see Page 2

THIS INFORMATION IS CONFIDENTIAL AND PROPRIETARY TO TYCO ELECTRONICS CORPORATION AND ITS WORLDWIDE SUBSIDIARIES AND AFFILIATES. IT MAY NOT BE DISCLOSED TO ANYONE, OTHER THAN TYCO ELECTRONICS CORPORATION, WITHOUT WRITTEN AUTHORIZATION FROM TYCO ELECTRONICS CORPORATION, HARRISBURG, PENNSYLVANIA USA.

Product description code	Tyco part Number	Style & Number of Positions	Termination Posts	Loaded Rows	Performance Level	Board Locks
V42254-B2100-C960	1393640-1	C96	right-angle solder leads	every row , every pitch	1	No
V42254-B2101-B640	1393640-4	B64	2,9mm straight solder leads	every row , every pitch	1	No
V42254-B2101-B645	1393640-5	B64	2,9mm straight solder leads	every row , every even pitch	1	No
V42254-B2101-C300	1393640-6	C30	2,9mm straight solder leads	every row , every pitch	1	No
V42254-B2101-C480	1393640-7	C48	2,9mm straight solder leads	every row , every pitch	1	No
V42254-B2101-C483	1393640-8	C48	2,9mm straight solder leads	row atc , every pitch	1	No
V42254-B2101-C910	3-1393640-9	C96	2,9mm straight solder leads	every row , every pitch	1	Yes
V42254-B2101-C960	1393640-9	C96	2,9mm straight solder leads	every row , every pitch	1	No
V42254-B2101-C963	1-1393640-0	C96	2,9mm straight solder leads	row atc , every pitch	1	No
V42254-B2101-C968	1-1393640-1	C96	2,9mm straight solder leads	row atc , every even pitch	1	No
V42254-B2102-B200	1-1393640-5	B20	4,5mm straight solder leads	every row , every pitch	1	No
V42254-B2102-B320	1-1393640-6	B32	4,5mm straight solder leads	every row , every pitch	1	No
V42254-B2102-B640	1-1393640-7	B64	4,5mm straight solder leads	every row , every pitch	1	No
V42254-B2102-B641	1-1393640-8	B64	4,5mm straight solder leads	row a , every pitch	1	No
V42254-B2102-C303	2-1393640-0	C30	4,5mm straight solder leads	row atc , every pitch	1	No
V42254-B2102-C480	2-1393640-1	C48	4,5mm straight solder leads	every row , every pitch	1	No
V42254-B2102-C910	2-1393640-3	C96	4,5mm straight solder leads	every row , every pitch	1	Yes
V42254-B2102-C960	2-1393640-4	C96	4,5mm straight solder leads	every row , every pitch	1	No
V42254-B2102-C963	2-1393640-5	C96	4,5mm straight solder leads	row atc , every pitch	1	No
V42254-B2102-C968	2-1393640-6	C96	4,5mm straight solder leads	row atc , every even pitch	1	No
V42254-B2103-B640	3-1393640-2	B64	6,3mm straight solder leads	every row , every pitch	1	No
V42254-B2103-C960	3-1393640-4	C96	6,3mm straight solder leads	every row , every pitch	1	No
V42254-B2104-C960	3-1393640-5	C96	7,3mm straight solder leads	every row , every pitch	1	No
V42254-B2110-B640	3-1393640-7	B64	right-angle solder leads with mounting bracket	every row , every pitch	1	No
V42254-B2110-C960	3-1393640-8	C96	right-angle solder leads with mounting bracket	every row , every pitch	1	No
V42254-B2110-C960N	3-1393640-9	C96	right-angle solder leads with mounting bracket	every row , every pitch	1	No
V42254-B2110-C963	3-1393640-0	C96	right-angle solder leads with mounting bracket	row atc , every pitch	1	No
V42254-B2130-B641	4-1393640-6	B64	5,2 10mm solder hooks	row a , every pitch	1	No
V42254-B2135-B640	4-1393640-7	B64	5,2 10mm solder lugs	every row , every pitch	1	No
V42254-B2135-B641	4-1393640-8	B64	5,2 10mm solder lugs	row a , every pitch	1	No
V42254-B2135-C960	5-1393640-0	C96	5,2 10mm solder lugs	every row , every pitch	1	No
V42254-B2135-C963	5-1393640-1	C96	5,2 10mm solder lugs	row atc , every pitch	1	No
V42254-B2140-B640	5-1393640-8	B64	13mm straight wire-wrap pins	every row , every pitch	1	No
V42254-B2140-C960	6-1393640-0	C96	13mm straight wire-wrap pins	every row , every pitch	1	No
V42254-B2140-C963	6-1393640-1	C96	13mm straight wire-wrap pins	row atc , every pitch	1	No
V42254-B2200-C960	1-1393640-0	C96	right-angle solder leads	every row , every pitch	2	No
V42254-B2201-C963	1-1393640-1	C96	right-angle solder leads	row atc , every pitch	2	No
V42254-B2201-B200	1-1393640-2	B20	2,9mm straight solder leads	every row , every pitch	2	No
V42254-B2201-B310	1-1393640-3	B32	2,9mm straight solder leads	every row , every pitch	2	Yes
V42254-B2201-B320	1-1393640-4	B32	2,9mm straight solder leads	every row , every pitch	2	No
V42254-B2201-B325	1-1393640-5	B32	2,9mm straight solder leads	every row , every even pitch	2	No
V42254-B2201-B640	1-1393640-8	B64	2,9mm straight solder leads	row a , every pitch	2	No
V42254-B2201-B641	1-1393640-9	B64	2,9mm straight solder leads	every row , every pitch	2	No
V42254-B2201-C300	8-1393640-0	C30	2,9mm straight solder leads	row atc , every pitch	2	No
V42254-B2201-C313	8-1393640-2	C30	2,9mm straight solder leads	row atc , every pitch	2	Yes
V42254-B2201-C410	8-1393640-3	C48	2,9mm straight solder leads	every row , every pitch	2	Yes
V42254-B2201-C413	8-1393640-4	C48	2,9mm straight solder leads	row atc , every pitch	2	Yes
V42254-B2201-C480	8-1393640-5	C48	2,9mm straight solder leads	every row , every pitch	2	No
V42254-B2201-C483	8-1393640-6	C48	2,9mm straight solder leads	row atc , every pitch	2	No
V42254-B2201-C485	8-1393640-7	C48	2,9mm straight solder leads	every row , every even pitch	2	No
V42254-B2201-C488	8-1393640-8	C48	2,9mm straight solder leads	row atc , every even pitch	2	No
V42254-B2201-C910	8-1393640-9	C96	2,9mm straight solder leads	every row , every pitch	2	Yes
V42254-B2201-C913	9-1393640-0	C96	2,9mm straight solder leads	row atc , every pitch	2	Yes
V42254-B2201-C960	9-1393640-2	C96	2,9mm straight solder leads	every row , every pitch	2	No
V42254-B2201-C963	9-1393640-3	C96	2,9mm straight solder leads	row atc , every pitch	2	No
V42254-B2201-C965	9-1393640-4	C96	2,9mm straight solder leads	row atc , every pitch	2	No
V42254-B2201-C968	9-1393640-5	C96	2,9mm straight solder leads	every row , every even pitch	2	No
V42254-B2202-B200	1-1393641-0	B20	4,5mm straight solder leads	row atc , every even pitch	2	No
V42254-B2202-B320	1-1393641-1	B32	4,5mm straight solder leads	every row , every pitch	2	No
V42254-B2202-B321	1-1393641-2	B32	4,5mm straight solder leads	row a , every pitch	2	No
V42254-B2202-B640	1-1393641-4	B64	4,5mm straight solder leads	every row , every pitch	2	No
V42254-B2202-B640N	1-1393641-5	B64	4,5mm straight solder leads	every row , every pitch	2	No
V42254-B2202-B641	1-1393641-6	B64	4,5mm straight solder leads	row a , every pitch	2	No
V42254-B2202-B641N	1-1393641-7	B64	4,5mm straight solder leads	row a , every pitch	2	No
V42254-B2202-B645	1-1393641-8	B64	4,5mm straight solder leads	every row , every even pitch	2	No

Product description code	Tyco part Number	Style & Number of Positions	Termination Posts	Loaded Rows	Performance Level	Board Locks
V42254-B2202-C300	2-1393641-0	C30	4,5mm straight solder leads	every row , every pitch	2	No
V42254-B2202-C303	2-1393641-1	C30	4,5mm straight solder leads	row atc , every pitch	2	No
V42254-B2202-C310	2-1393641-2	C30	4,5mm straight solder leads	every row , every pitch	2	Yes
V42254-B2202-C410	2-1393641-3	C48	4,5mm straight solder leads	every row , every pitch	2	Yes
V42254-B2202-C413	2-1393641-4	C48	4,5mm straight solder leads	row atc , every pitch	2	Yes
V42254-B2202-C480	2-1393641-5	C48	4,5mm straight solder leads	every row , every pitch	2	No
V42254-B2202-C483	2-1393641-6	C48	4,5mm straight solder leads	row atc , every pitch	2	No
V42254-B2202-C910	2-1393641-7	C96	4,5mm straight solder leads	every row , every pitch	2	Yes
V42254-B2202-C913	2-1393641-8	C96	4,5mm straight solder leads	every row , every pitch	2	Yes
V42254-B2202-C918	3-1393641-0	C96	4,5mm straight solder leads	row atc , every pitch	2	Yes
V42254-B2202-C960	3-1393641-1	C96	4,5mm straight solder leads	row atc , every even pitch	2	Yes
V42254-B2202-C960B	3-1393641-2	C96	4,5mm straight solder leads	every row , every pitch	2	No
V42254-B2202-C960N	3-1393641-3	C96	4,5mm straight solder leads	every row , every pitch	2	No
V42254-B2202-C963	3-1393641-5	C96	4,5mm straight solder leads	row atc , every pitch	2	No
V42254-B2202-C963B	3-1393641-6	C96	4,5mm straight solder leads	row atc , every pitch	2	No
V42254-B2202-C963N	3-1393641-7	C96	4,5mm straight solder leads	row atc , every pitch	2	No
V42254-B2202-C965	3-1393641-8	C96	4,5mm straight solder leads	every row , every even pitch	2	No
V42254-B2202-C968	3-1393641-9	C96	4,5mm straight solder leads	row atc , every even pitch	2	No
V42254-B2202-C968N	4-1393641-0	C96	4,5mm straight solder leads	row atc , every even pitch	2	No
V42254-B2204-B640	6-1393641-1	B64	7,3mm straight solder leads	every row , every pitch	2	No
V42254-B2204-C960	6-1393641-8	C96	7,3mm straight solder leads	every row , every pitch	2	No
V42254-B2204-C963	6-1393641-9	C96	7,3mm straight solder leads	row atc , every pitch	2	No
V42254-B2205-C960	6-1393641-0	C96	3,1mm straight solder leads	every row , every pitch	2	No
V42254-B2210-B320	1-1393641-2	B32	right-angle solder leads with mounting bracket	every row , every pitch	2	No
V42254-B2210-B640	1-1393641-3	B64	right-angle solder leads with mounting bracket	every row , every pitch	2	No
V42254-B2210-C480	1-1393641-5	C48	right-angle solder leads with mounting bracket	every row , every pitch	2	No
V42254-B2210-C483	1-1393641-6	C48	right-angle solder leads with mounting bracket	row atc , every pitch	2	No
V42254-B2210-C960	1-1393641-7	C96	right-angle solder leads with mounting bracket	every row , every pitch	2	No
V42254-B2210-C963	1-1393641-8	C96	right-angle solder leads with mounting bracket	row atc , every pitch	2	No
V42254-B2210-C968	1-1393641-9	C96	right-angle solder leads with mounting bracket	row atc , every even pitch	2	No
V42254-B2230-C960	8-1393641-5	C96	5,2 10mm solder hooks	every row , every pitch	2	No
V42254-B2230-C963	8-1393641-6	C96	5,2 10mm solder hooks	row atc , every pitch	2	No
V42254-B2235-B640	8-1393641-8	B64	5,2 10mm solder lugs	every row , every pitch	2	No
V42254-B2235-C480	9-1393641-0	C48	5,2 10mm solder lugs	every row , every pitch	2	No
V42254-B2235-C483	9-1393641-1	C48	5,2 10mm solder lugs	row atc , every pitch	2	No
V42254-B2235-C488	9-1393641-2	C48	5,2 10mm solder lugs	row atc , every even pitch	2	No
V42254-B2235-C960	9-1393641-3	C96	5,2 10mm solder lugs	every row , every pitch	2	No
V42254-B2235-C963	9-1393641-4	C96	5,2 10mm solder lugs	row atc , every pitch	2	No
V42254-B2235-C965	9-1393641-5	C96	5,2 10mm solder lugs	every row , every even pitch	2	No
V42254-B2235-C968	9-1393641-6	C96	5,2 10mm solder lugs	row atc , every even pitch	2	No
V42254-B2240-B200	1-1393642-1	B20	13mm straight wire-wrap pins	every row , every pitch	2	No
V42254-B2240-B320	1-1393642-2	B32	13mm straight wire-wrap pins	every row , every pitch	2	No
V42254-B2240-B640	1-1393642-3	B64	13mm straight wire-wrap pins	every row , every pitch	2	No
V42254-B2240-B640N	1-1393642-4	B64	13mm straight wire-wrap pins	every row , every pitch	2	No
V42254-B2240-C300	1-1393642-7	C30	13mm straight wire-wrap pins	every row , every pitch	2	No
V42254-B2240-C303	1-1393642-8	C30	13mm straight wire-wrap pins	row atc , every pitch	2	No
V42254-B2240-C480	1-1393642-9	C48	13mm straight wire-wrap pins	every row , every pitch	2	No
V42254-B2240-C483	1-1393642-0	C48	13mm straight wire-wrap pins	row atc , every pitch	2	No
V42254-B2240-C960	1-1393642-1	C96	13mm straight wire-wrap pins	every row , every pitch	2	No
V42254-B2240-C960B	1-1393642-2	C96	13mm straight wire-wrap pins	every row , every pitch	2	No
V42254-B2240-C960N	1-1393642-3	C96	13mm straight wire-wrap pins	every row , every pitch	2	No
V42254-B2240-C961B	1-1393642-4	C96	13mm straight wire-wrap pins	row a , every pitch	2	No
V42254-B2240-C962	1-1393642-5	C96	13mm straight wire-wrap pins	row atc , every pitch	2	No
V42254-B2240-C963	1-1393642-6	C96	13mm straight wire-wrap pins	row atc , every pitch	2	No
V42254-B2240-C963N	1-1393642-7	C96	13mm straight wire-wrap pins	row atc , every pitch	2	No
V42254-B2240-C965	1-1393642-8	C96	13mm straight wire-wrap pins	every row , every even pitch	2	No
V42254-B2240-C968	1-1393642-9	C96	13mm straight wire-wrap pins	row atc , every even pitch	2	No
V42254-B2240-C968N	2-1393642-1	C96	13mm straight wire-wrap pins	row atc , every even pitch	2	No
V42254-B2302-B640	6-1393642-6	B64	4,5mm straight solder leads	every row , every pitch	3	No
V42254-B2302-C913	6-1393642-7	C96	4,5mm straight solder leads	row atc , every pitch	3	Yes
V42254-B2302-C960	6-1393642-8	C96	4,5mm straight solder leads	every row , every pitch	3	No
V42254-B2302-C963	6-1393642-9	C96	4,5mm straight solder leads	row atc , every pitch	3	No
V42254-F2101-C480	8-1393642-9	C48	2,9mm straight solder leads	every row , every pitch	1	No
V42254-F2102-B640	9-1393642-0	B64	4,5mm straight solder leads	every row , every pitch	1	No
V42254-F2201-C310	9-1393642-1	C30	2,9mm straight solder leads	every row , every pitch	2	Yes
V42254-F2201-C480	9-1393642-3	C48	2,9mm straight solder leads	every row , every pitch	2	Yes
V42254-F2201-C910	9-1393642-4	C96	2,9mm straight solder leads	row atc , every pitch	2	Yes
V42254-F2201-C913	9-1393642-5	C96	2,9mm straight solder leads	row atc , every pitch	2	Yes
V42254-F2201-C960	9-1393642-6	C96	2,9mm straight solder leads	every row , every pitch	2	No
V42254-F2201-C963	9-1393642-7	C96	2,9mm straight solder leads	row atc , every pitch	2	No
V42254-F2202-C480	9-1393642-8	C48	4,5mm straight solder leads	every row , every pitch	2	No
V42254-F2202-C960	9-1393642-9	C96	4,5mm straight solder leads	every row , every pitch	2	No
V42254-F2202-C965	0-1393643-1	C96	4,5mm straight solder leads	every row , every even pitch	2	No
V42254-F2205-B640	0-1393643-2	B64	3,1mm straight solder leads	every row , every pitch	2	No

3) According to BT 236 level 2.
2) Connectors have a flux-tight coating.
1) No company name marked on the connector.

Active part numbers.
Contact Tyco Electronics for other configuration availability

tyco ELECTRONICS CORPORATION		SCALE		WEIGHT
OOSTKAMP - BELGIUM		MATERIAL		
LOC DIMENSIONS IN MM		PART NAME		
DATE 14.02.89		Receptacle Assembly Eurocard		
NAME Cuvelier		Types B, C and short versions		
DEP. PD.COM		PART NO.		
TOLERANCE UNLESS SPECIFIED OTHERWISE		V42254-B2***-C***-7626		SHT. 2-
REV. see page 1	DATE	APP. Customer Drawing Nr. C. 1393640-1		OF 2

THIS INFORMATION IS CONFIDENTIAL AND PROPRIETARY TO TYCO ELECTRONICS CORPORATION AND ITS WORLDWIDE SUBSIDIARIES AND AFFILIATES. IT MAY NOT BE DISCLOSED TO ANYONE, OTHER THAN TYCO ELECTRONICS CORPORATION, WITHOUT WRITTEN AUTHORIZATION FROM TYCO ELECTRONICS CORPORATION, HARRISBURG, PENNSYLVANIA USA.